



Magnetic Products, Inc.
Highland, Michigan | mpimagnet.com

Permanent Crane Magnet



- 1 Easy handling and tilting of loads from horizontal to vertical positions and vice versa
- 2 Large lockable lifting eye prevents undesirable tilting from horizontal to vertical positions
- 3 Lockable release lever for comfortable and safe operation
- 4 Light, compact design

First magnetic "claw" of its kind which is in compliance with UNI EN 13155 standard for handling with a crane

Unique pole configuration reduces peel-off effect for thin sheets during handling

Low magnetic field handles individual sheets from 0.12 in thickness

One (1) year warranty for the magnetic system

Manufactured in Europe to the highest quality standards

Application: Lifting

Technology: Permanent

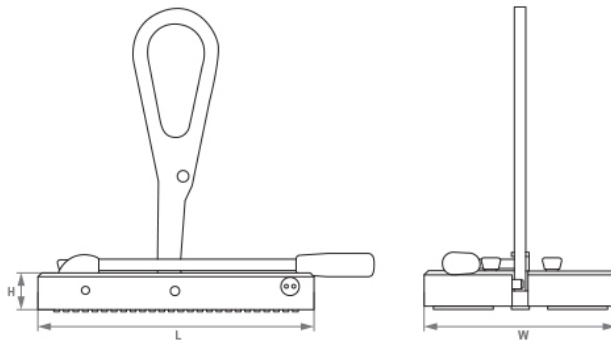
Horizontal working limit: 551 lbs

Vertical working limit: 176 lbs

Size: 7.8 x 11.3 x 1.6in

Temperature: maximum 176°F

Safety factor: 4:1



Part Number	Width (IN)	Length (IN)	Height (IN)	Horizontal Limit (LBS)	Vertical Limit (LBS)	Weight (LBS)	Tested Break Away Force (LBS)
PCM-GP250	7.8	11.3	1.6	551	176	21.5	2,425

Specifications subject to change