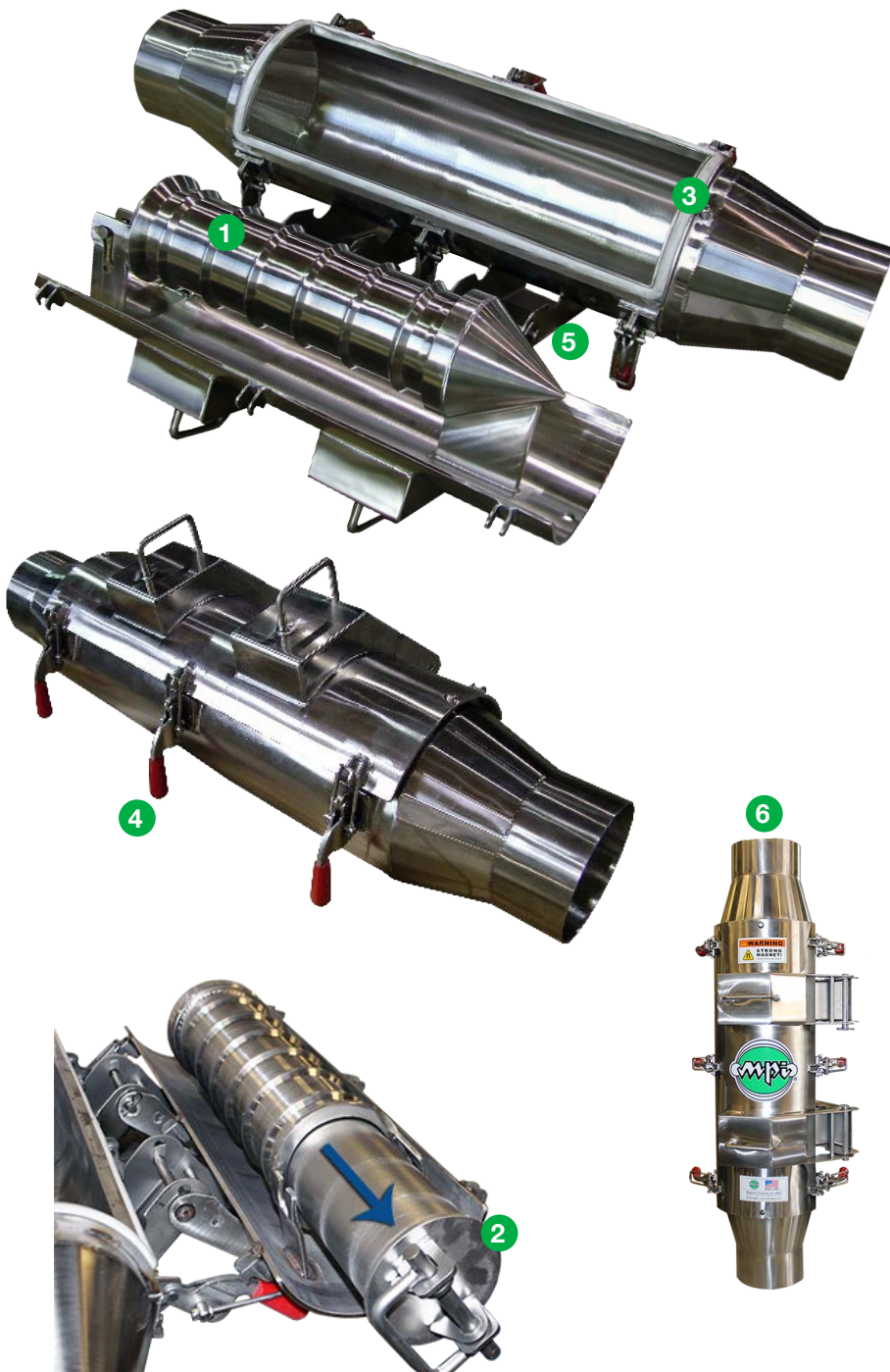




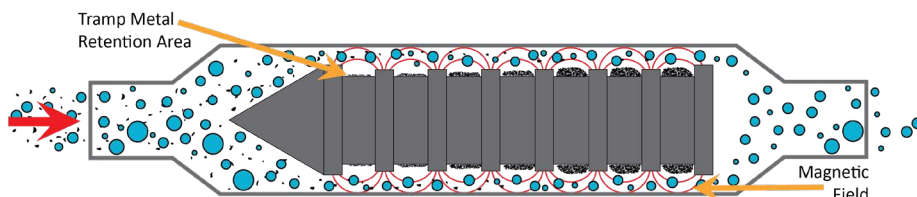
Magnets | Material Handling
Electronic Inspection | Service

Pneumatic Line Magnet

Series: PLM-QC

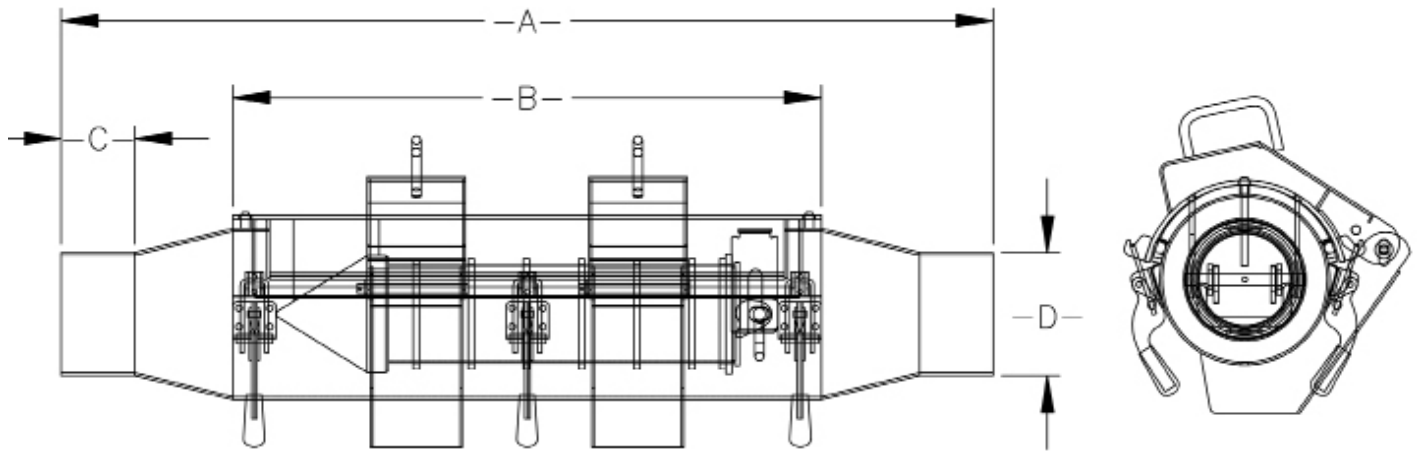


- 1 Maximum tramp metal retention:**
 - Seven (7) magnetic poles ensure maximum product exposure to magnetic field and tramp metal holding surface area
 - Poles are raised to ensure that captured tramp metal is retained between cleanings holding it outside of direct product flow eliminating potential "wash off"
 - 52-55 MGOe rare earth magnetic cartridge
- 2 Easy clean design with removable magnetic core allows magnet to operate at maximum performance between cleanings. To clean:**
 1. Unlatch clamps, open door and turn magnet 90 degrees
 2. Pull magnet cartridge towards operator until removed from housing. With magnet removed, tramp metal will fall onto housing door for collection.
 3. Replace magnet cartridge, turn 90 degrees to lock back into place and clamp system closed
- 3 Sani-TIGHT Seal™ Gasket:**
 - Type: Compression style "O-ring" cord gasket (Optional metal detectable)
 - Sealing plate: 1/2" thick machined stainless channel
 - 100% Positive seal, cannot be over-compressed
 - Sanitary: Gasket can be removed and replaced for wash-down, no adhesive required
- 4 DE-STA-CO clamps:**
 - Quick and easy access to inspect and clean magnet
 - Maintains positive seal during operation and does not allow for overtightening
- 5 Hinged access door:**
 - Support provides safe and lightweight inspection for operators
- 6 Various cart and connection systems available:**
 - Available in various cart and connection designs to fit any application



*Specifications subject to change

Series PLM-QC Version 3.0 © MPI



PLM-QC Selection Guide

MODEL NUMBER	OVERALL LENGTH A		DOOR LENGTH B		TUBE LENGTH C		TUBE DIAMETER D		UNIT WEIGHT	
	IN.	MM	IN.	MM	IN.	MM	IN.	MM	LBS.	KG
PLM-3-REN-QC	38	965	24	610	3	76	3	76	85	39
PLM-4-REN-QC	38	965	24	610	3	76	4	102	88	40
PLM-5-REN-QC	38	965	24	610	3	76	5	127	92	42
PLM-6-REN-QC	38	965	24	610	3	76	6	152	98	44
PLM-7-REN-QC	38	965	24	610	3	76	7	177	137	62
PLM-8-REN-QC	50	1270	36	914	4.5	114	8	203	170	77

Pneumatic Line Magnet Options

Pipe Size: Available in diameters from 2" to 10" in any increment.

Cleaning Method:

- Manual clean
- **Manual quick-clean with removable magnetic core (standard)**

Magnet Element:

- **7 raised poles (standard on sizes up to 6")**
- **5 raised poles (standard on sizes 7" and larger)**

Material Construction:

- **304 Stainless steel with 430 stainless steel raised poles (standard)**
- 316 Stainless steel, including raised poles (reduces pull value on contact compared to 430 stainless poles)

Magnet Material & Temperature:

- 400° F @ 3.5 MGOe (ceramic)
- **176° F @ 52-55 MGOe (rare earth) (standard)**
- 248° @ 48 MGO (rare earth)
- 356° @ 38 MGO (rare earth)
- 662° @ 28 MGO (rare earth)

Gasket Material:

- **White silicon, FDA approved (standard)**
- Buna, FDA approved
- Metal detectable blue silicon, FDA approved
- Customer specified

Inlet Flange Design:

- **3" plain end for compression coupling installation (standard)**
- Cam Lock: male adapter
- Cam Lock: female adapter
- ANSI 150 pound flange
- Customer specified

Outlet Flange Design:

- **3" plain end for compression coupling installation (standard)**
- Cam Lock: male adapter
- Cam Lock: female adapter
- ANSI 150 pound flange
- Customer specified

Position Switch: For unit closed confirmation or safety interlock

- **Not included (standard)**
- Proximity switch for unit closed confirmation (MPI Standard model and mount)
- Mechanical safety switch for unit closed confirmation and safety (MPI Standard model and mount)
- Switch mounting bracket only (customer supplied switch)
- Customer specified model

Cart: MPI can provide a cart for the separator so it can be transported easily, commonly used for bulk unloading and/or loading areas.

- **Not included (standard)**
- Included

*Specifications subject to change