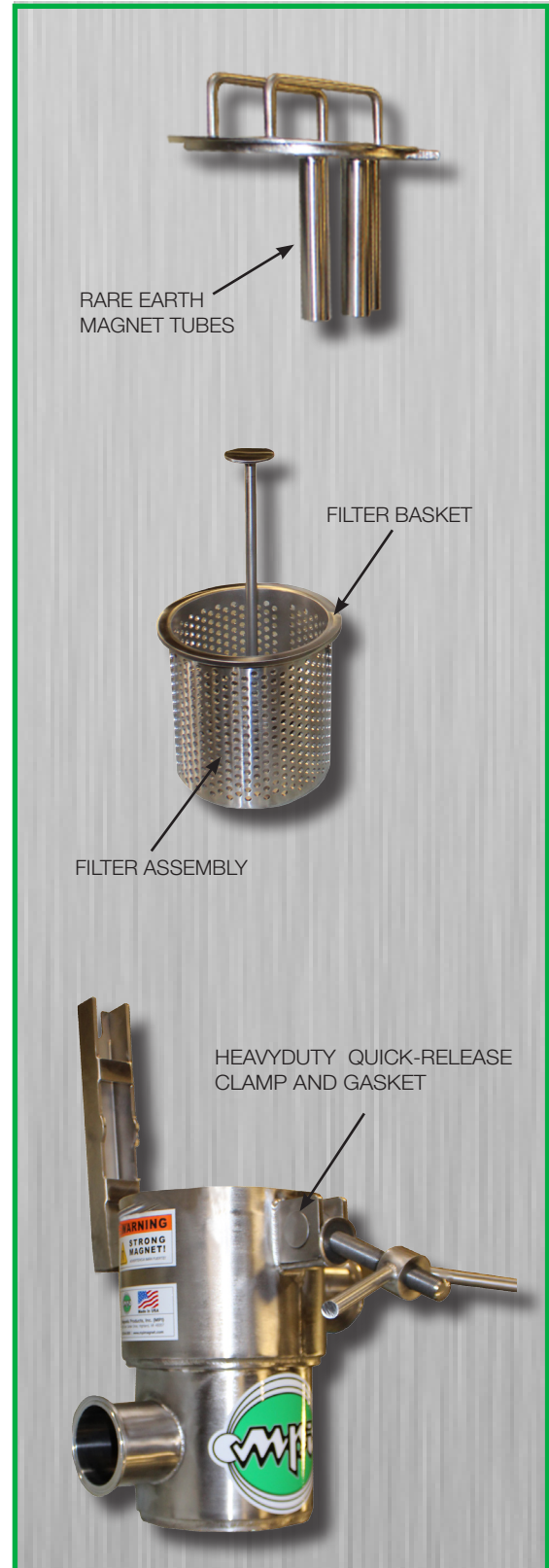




Triple Rod Combination Screener Magnet

Series: TW



Application

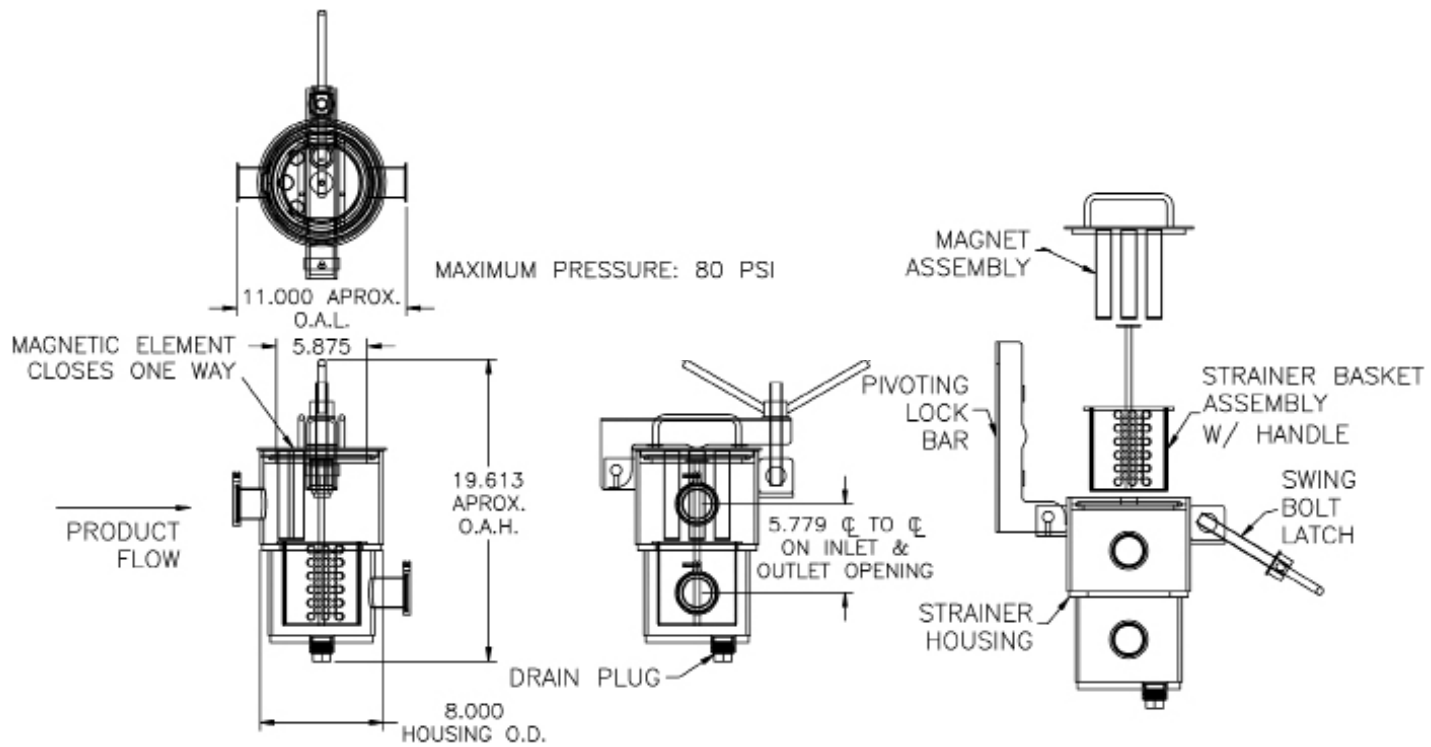
- Combines magnet and screen filter into one assembly for easy cleaning of magnet and screen
- Quick and easy access compared to traditional screeners
- Increased protection against tramp metals compared to traditional screeners
- Non magnetic particles are trapped in a strainer (located under magnet element)
- Includes magnet and screener in one common system
- Lid with clamping device ensures proper seal and easy maintenance
- Sanitary construction for food processing

**Specifications subject to change*

Series TW Version 2.0 © MPI

MPI

683 Town Center Drive, Highland, MI 48356 | p. 800.544.5930 | f. 248.887.6100
info@mpimagnet.com | www.mpimagnet.com



TW - Selection Guide

MODEL NUMBER	INLET	OUTLET	OVERALL LENGTH	CENTER TO CENTER
TW-1	1"	1"	11"	5.78"
TW-2	2"	2"	11"	5.78"
TW-3	3"	3"	11"	5.78"
TW-4	4"	4"	11"	5.78"

Standard Features

- Three (3) 1" diameter magnetic tubes
- Powerful Neodymium Rare Earth magnet material
- Rated for 80 P.S.I.
- FDA approved compression style gasket that offers a bullet-proof seal and virtually eliminates the need for replacement
- Heavy duty quick-release clamp and gasket for easy access and maintenance
- Rugged all-welded construction

Options

- Lockable lid
- 316 stainless steel
- Sanitary construction
- Filter assembly with custom mesh sizes
- High temperature magnet material
- Custom flange connections
- Drain valve
- Vertical inlet and outlet