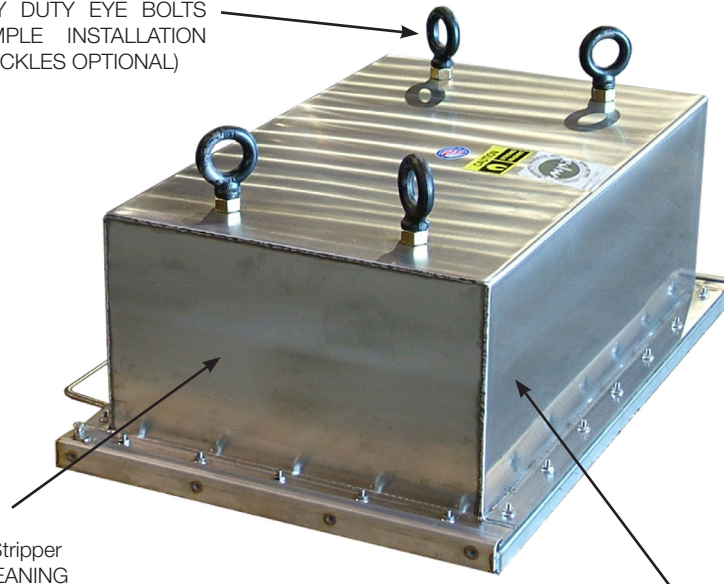




# Suspended Permanent Magnet

Series: RBM

(4) HEAVY DUTY EYE BOLTS FOR SIMPLE INSTALLATION (TURN BUCKLES OPTIONAL)



QUICK CLEAN PULL OUT Stripper FOR QUICK AND EASY CLEANING OF MAGNET WORKING SURFACE

STAINLESS STEEL MAGNET ENCLOSURE WITH HIGH GRADIENT 2 POLE MAGNET WORKING SURFACE

## Application

MPI's Receiving Belt Magnets remove both large and small types of tramp metal from product streams conveyed by belts at speeds up to 700 feet per minute. The captured tramp metal accumulates across the entire magnetic face, substantially increasing the amount of tramp iron the magnet can retain before cleaning is required.

## Operation

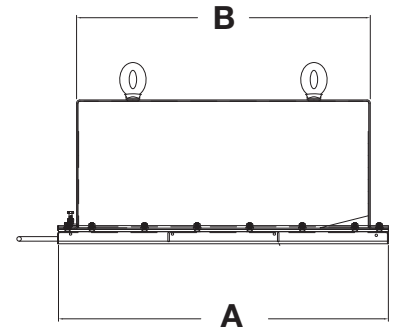
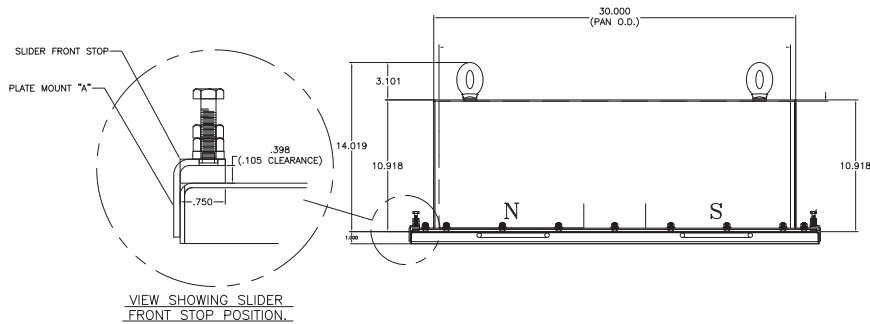
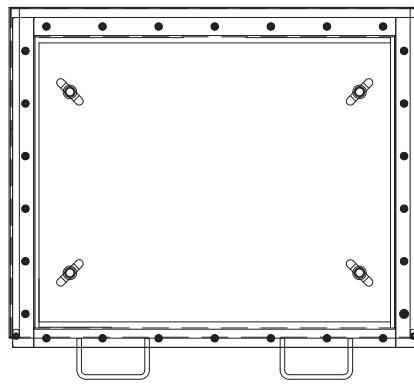
MPI's RBM consists of a large plate magnet suspended over the conveyed product stream. The Receiving Belt Magnet should be suspended approximately 5"-8" above the product stream for optimum tramp metal removal. (8"-10" with bucking option) The magnet should be located in an area that has easy access to allow for proper cleaning. Also, the magnet should operate in an area of the belt where no integral parts of the conveyor can become magnetized, such as idler rollers or belting support plates, as this may cause excessive wear on the conveyor system. To clean the magnet, simply grab the handle on the quick clean stripper and pull towards you until it hits stop. After all metal has fallen from the stripper, slide the stripper face back into place.

*\*Specifications subject to change*

Series RBM Version 2.0 © MPI

**MPI**

683 Town Center Drive, Highland, MI 48356 | p. 800.544.5930 | f. 248.887.6100  
info@mpimagnet.com | www.mpimagnet.com



## RBM Selection Guide

Model #	Belt Width A		Magnet Width B		Unit Weight	
	IN	CM	IN	CM	LBS	KG
<b>RBM-18</b>	24	61	18	46	950	432
<b>RBM-24</b>	30	76	24	61	1300	591
<b>RBM-30</b>	36	91	30	76	1600	727
<b>RBM-36</b>	42	107	36	91	1900	864
<b>RBM-42</b>	48	122	42	107	2300	1045

### Standard Features

- Permanent ceramic 8 magnet will not demagnetize, create heat or require electricity to operate
- Stainless steel enclosed magnet

### Options

- Self-cleaning models
- Custom support frames
- Heavy-duty sanitary design support frame
- “Bucking Magnet” configuration for enhanced strength and reach out, resulting in a performance increase of approximately 25%

\*Specifications subject to change

Series RBM Version 2.0 © MPI

**MPI**

683 Town Center Drive, Highland, MI 48356 | p. 800.544.5930 | f. 248.887.6100  
 info@mpimagnet.com | www.mpimagnet.com