



# Liquid Plate Trap

Series: LPT

USDA  
AVAILABLE



OPTIONAL FLANGE INCLUDES  
150#, OR THREADS

POWERFUL RARE EARTH PERMANENT MAGNET  
MATERIAL OPTIONAL HIGH TEMP MATERIAL UP  
TO 650° F

## Application

MPI's Liquid Plate Magnetic Traps are designed to protect liquid and slurry lines and pumps by magnetically removing ferrous contaminants from liquid and slurry product streams. LPT Series Trap Magnets provide purification of liquids and tramp metal separation for a variety of wet food processing industries, from fluid and strained products to viscous and heavy fibrous products.

## Operation

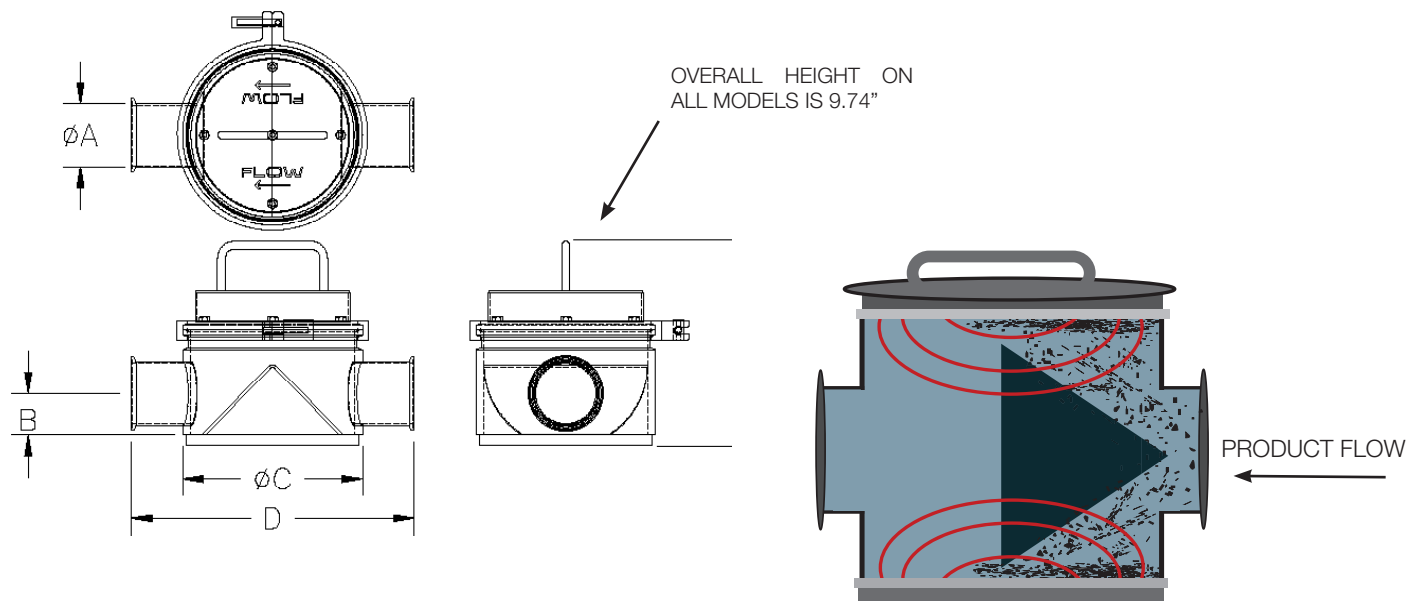
A baffle within the trap line directs the product flow toward the magnetic field, assuring that ferrous contaminants come into contact with the powerful magnet. The area within the trap is enlarged to slow the product stream and allow increased exposure to the entire magnetic surface. Suggested placement of the trap is in horizontal lines, with the magnet element facing "up" to simplify cleaning. After product flow is terminated, the magnet is easily cleaned by removing the tri-clover clamp, lifting the magnetic element and hand-cleaning the surface.

*\*Specifications subject to change*

Series LPT Version 2.0 © MPI

**MPI**

683 Town Center Drive, Highland, MI 48356 | p. 800.544.5930 | f. 248.887.6100  
info@mpimagnet.com | www.mpimagnet.com



## LPT Selection Guide

LPT MODEL NUMBER	PIPE DIAMETER DIM. "A"		CENTERLINE HEIGHT DIM. "B"		BASE DIAMETER DIM. "C"		LENGTH DIM. "D"		UNIT'S APPROX. WEIGHT	
	IN.	MM	IN.	MM	IN.	MM	IN.	MM	LBS.	KG
LPT-15	1.5	38	2.00	51	7.78	198	11.50	292	17	8
LPT-20	2	51	2.00	51	7.78	198	11.50	292	17	8
LPT-25	2.5	64	2.00	51	7.78	198	13.50	343	30	14
LPT-30	3	76	2.00	51	7.78	198	13.50	343	30	14

## CAPACITIES IN GALLONS/MINUTE, LITERS/MINUTE

LPT TRAP SIZE		PRODUCT CLASSIFICATION							
		FLUID & STRAINED		FIBROUS & CRUSHED		VISCIOUS OR HEAVY		VISCIOUS & FIBROUS	
IN.	MM	GPM	LPM	GPM	LPM	GPM	LPM	GPM	LPM
1.5	38	65	245	50	189	25	94	15	57
2.0	51	65	245	50	189	25	94	15	57
2.5	64	140	528	90	339	60	226	35	132
3.0	76	140	528	90	339	60	226	35	132

### Standard Features

- Type 304 stainless steel sanitary design and liquid tight construction
- Quick-release triclover clamps for easy inspection and cleaning
- For use in product streams up to 75 psi
- Available for line sizes from 1¼" to 3" dia. in ¼" increments

### Options

- Other line connection types available: bevel seat, pipe thread, or weld ends
- Different alloy stainless steel
- Abrasion resistance coatings

*\*Specifications subject to change*

Series LPT Version 2.0 © MPI

