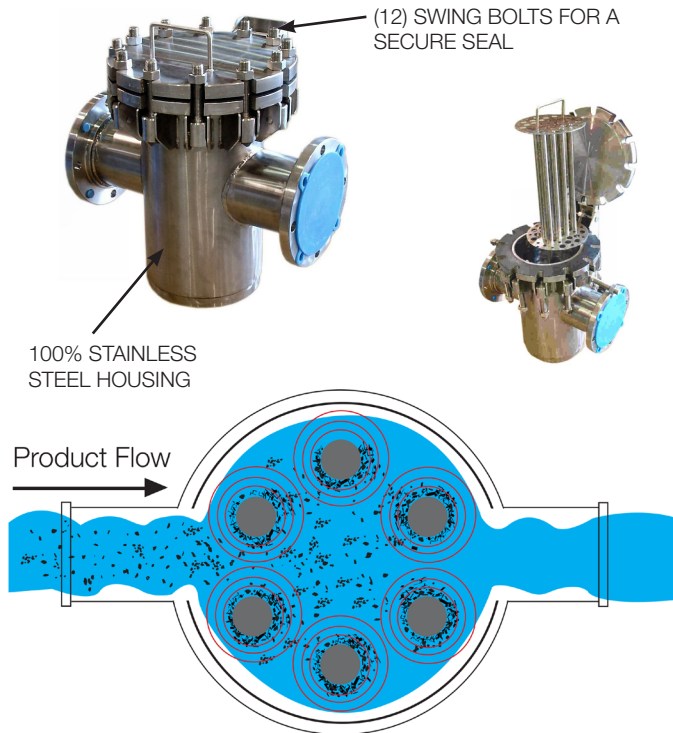




High Pressure Liquid Finger Trap

Series: LFT-HP



(12) SWING BOLTS FOR A SECURE SEAL

100% STAINLESS STEEL HOUSING

Product Flow

Application

MPI's High Pressure Liquid Finger Trap Magnets are designed to protect product lines and pumps by magnetically removing ferrous contaminants from the product stream. LFT-HP Series trap magnets provide purification of liquids and wet separation for a variety of industries; including but not limited to the chemical, food processing and paper milling.

Operation

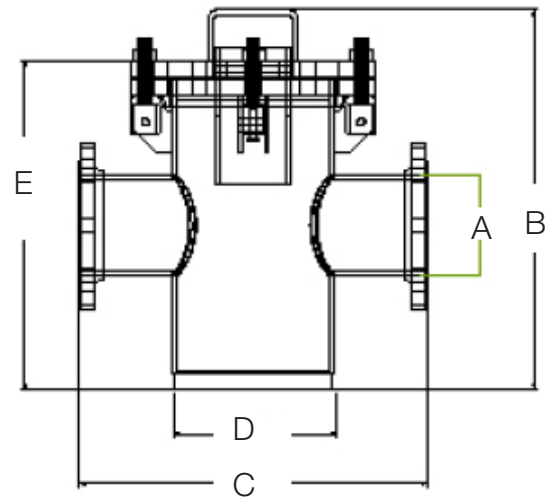
The tramp metal collects at the downstream side of the magnetic tubes, preventing tramp metal "wash-off" during the continuous product flow around and through the magnetic field without restricting the product flow. Additionally, non-magnetic particles are trapped, by gravity, in a sump beneath the magnetic element.

Standard Features

- Powerful Ceramic magnet material
- 100% Stainless Steel construction
- 150 PSI max pressure, at 120°F
- Quick-release clamps provide easy removal for inspection and cleaning of magnetic element

Options

- High Energy Rare Earth magnet material
- Other line connection types available such as bevel seat, pipe thread, or weld ends



LFT-HP Selection Guide

Part No.	Inlet/Outlet "A"	Overall Height "B"	Overall Length "C"	Housing Diameter "D"
LFT-3	3.00"	24.00"	23.188"	10.00"
LFT-4	4.00"	24.00"	23.188"	10.00"
LFT-5	5.00"	26.00"	23.188"	10.00"
LFT-6	6.00"	26.00"	23.188"	10.00"
LFT-8	8.00"	32"	26.000"	16.00"
LFT-10	10"	32"	29.812"	18.00"

*Specifications subject to change

Series LFT-HP Version 2.0 ©MPI

MPI

683 Town Center Drive, Highland, MI 48356 | p. 800.544.5930 | f. 248.887.6100
 info@mpimagnet.com | www.mpimagnet.com