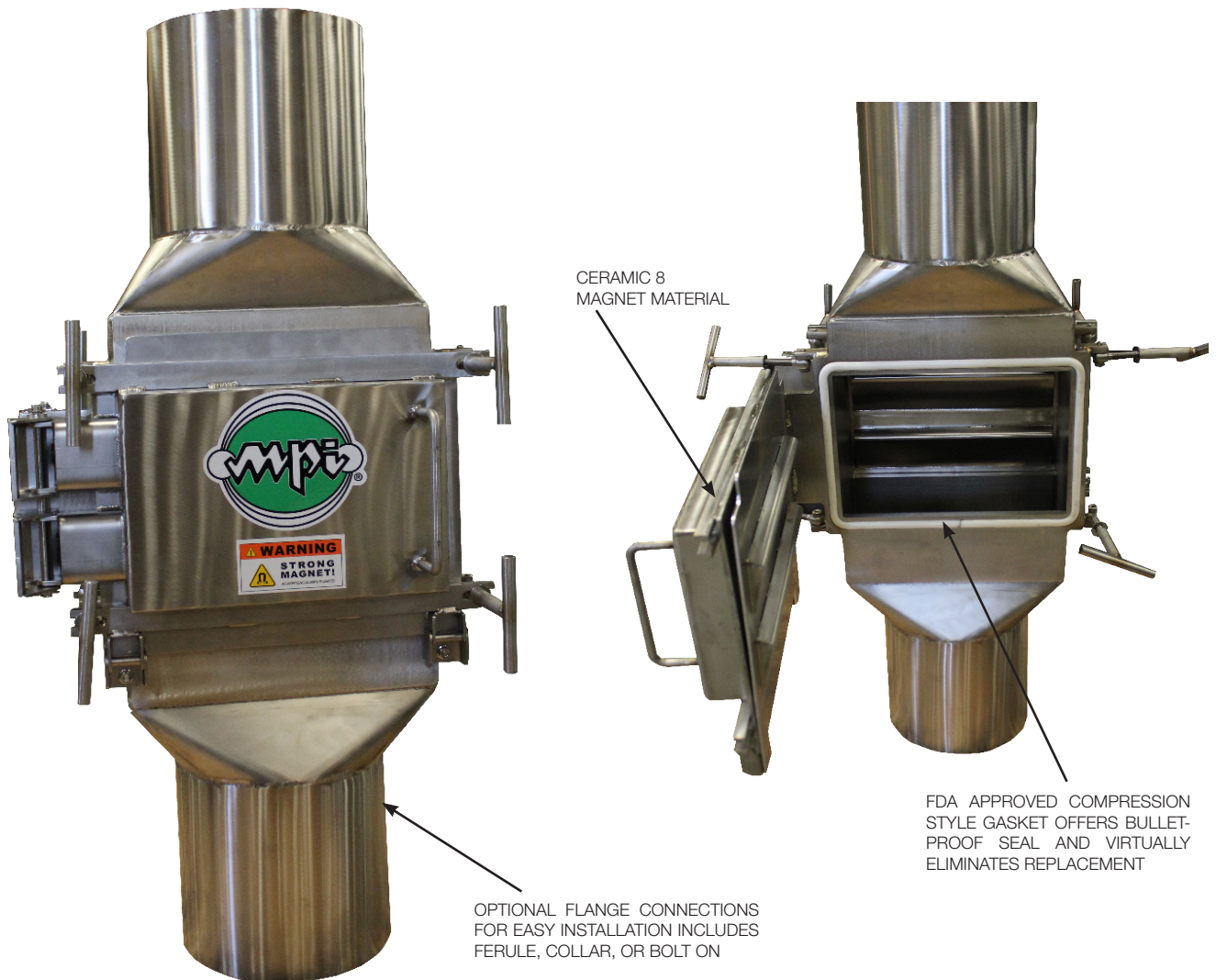




Inline Plate Magnet

Series: ILPM



Application

MPI's Inline Plate Magnets are designed for use in gravity-fed chutes and pneumatic conveying systems, which convey low to medium volume product streams. These systems include stainless steel housing and custom connections for installation into customer lines.

Operation

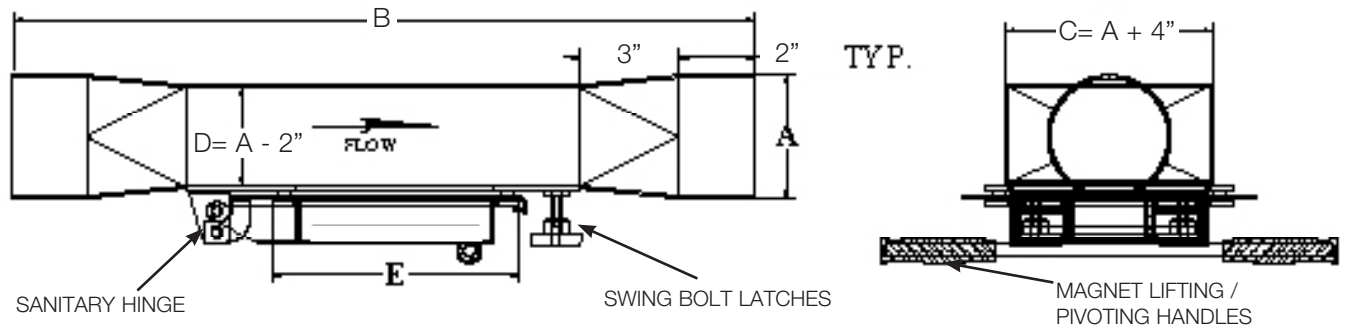
The magnetic face consists of (2) 400 grade, stainless steel magnetic poles or steps for maximum holding value. ILPM series plate magnets are easy to install and the magnet's hinged mount design permits quick, easy cleaning of the magnet's surface. The strong magnetic field is effective in product streams up to 8" deep. Dual plate magnets configurations are recommended for pneumatic conveying systems.

**Specifications subject to change*

Series ILPM Version 2.0 © MPI

MPI

683 Town Center Drive, Highland, MI 48356 | p. 800.544.5930 | f. 248.887.6100
info@mpimagnet.com | www.mpimagnet.com



ILPM Selection Guide

Model Number	Diameter A												Length B	
	IN						MM						IN	MM
	4	5	6	8	10	12	101	127	152	203	254	305	28.5	724
ILPM-100	4	5	6	8	10	12	101	127	152	203	254	305	28.5	724
ILPM-200	4	5	6	8	10	12	101	127	152	203	254	305	28.5	724
ILPM-300	4	5	6	8	10	12	101	127	152	203	254	305	30.5	775
ILPM-400	4	5	6	8	10	12	101	127	152	203	254	305	32.5	825
ILPM-500	4	5	6	8	10	12	101	127	152	203	254	305	35.5	902
ILPM-600	4	5	6	8	10	12	101	127	152	203	254	305	35.5	902

All diameters that are bold in blue are MPI recommended. The other diameters are not typically recommended though they may fit special needs.

Standard Features

- Rugged all-welded construction
- Permanent Ceramic 8 magnet material
- 304 stainless steel construction
- Sanitary hinges & latches
- 1" uniform magnet sealing flanges
- FDA approved compression style gasket offers a bullet-proof seal and virtually eliminates gasket replacement

Options

- Powerful rare earth magnet material
- Single & double step magnet face
- Replaceable abrasive resistant face plates
- Hinge mounted "quick-clean" magnet face
- Self clean units with two pneumatic cylinders
- Food-grade finishes