



# Inline Pneumatic Drawer Magnet

Series: ILPDM

## Next Generation Magnetics

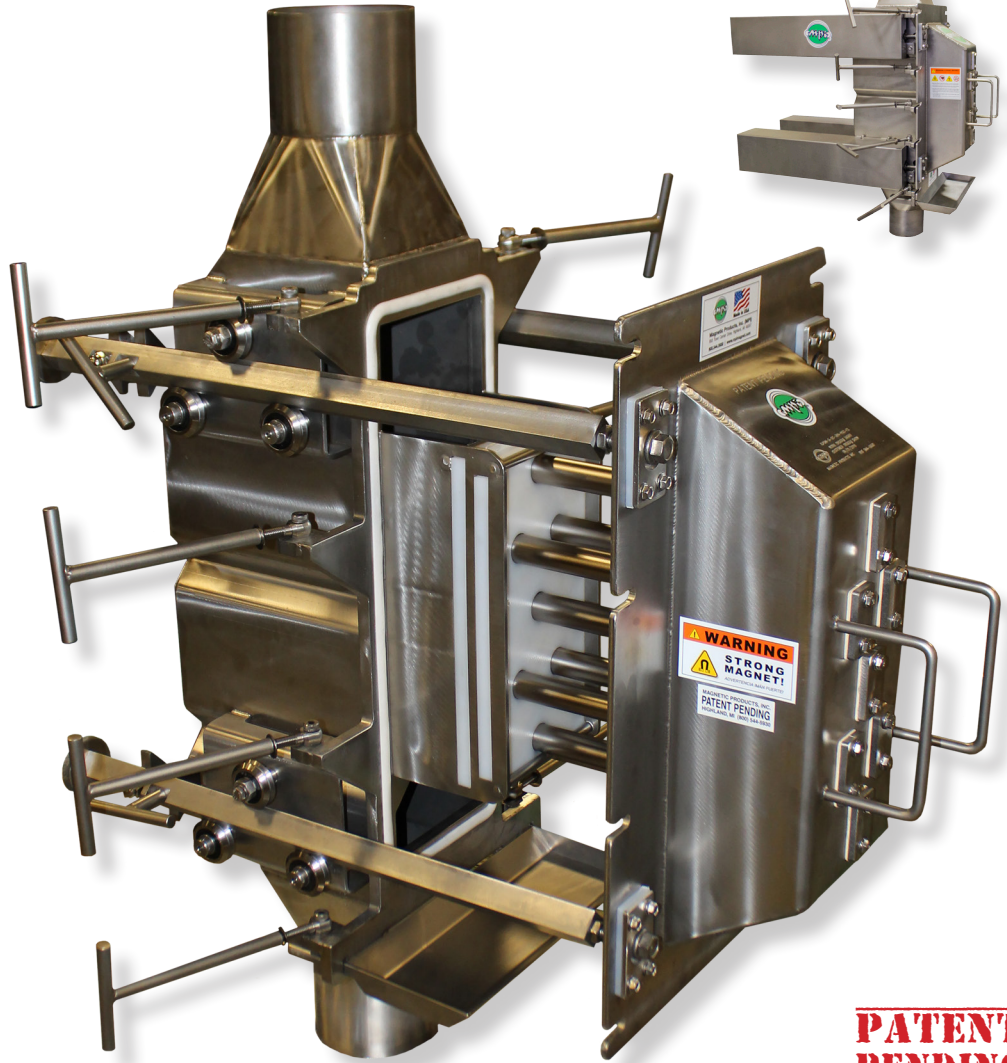
# Hi-G

**Hi-Gauss**  
**Hi-Grab**  
**Hi-Gravity**  
**Hi-Guard**

- ROBUST DRAWER TRACKING ALLOWS QUICK AND SAFE CLEANING OF PNEUMATIC MAGNET
- JAM NUT ALLOWS FOR FINE TUNING ADJUSTMENTS TO ENSURE A PROPER SEAL EVERY TIME
- NEW STRIPPER BLOCK DESIGN UTILIZES COMPLIANT MATERIAL TO EFFECTIVELY REMOVE FINE FERROUS METAL FROM TUBES AND LAST LONGER IN PRODUCTION ENVIRONMENTS WHEN COMPARED TO TRADITIONAL PLASTIC STRIPPERS
- MPI'S EXCLUSIVE LOCKING TUBES CREATE A SANITARY DESIGN LEAVING NO CRACKS OR CREVASSES TO MEET TODAY'S FOOD INDUSTRY STANDARDS
- IMPROVED DRAWER TRACKING DESIGN ALLOWS FOR EASIER CLEANING OPERATION
- FIXED STRIPPING MECHANISM OUTSIDE OF PRODUCT FLOW PREVENTS JAMS AND CLEANING OF TUBES IN PRODUCT FLOW
- EASY WASH DOWN - MINIMAL TOOLS REQUIRED FOR DISASSEMBLY
- METAL DETECTABLE PLASTIC COMPONENTS AVAILABLE

*Redefine what you know about drawer magnets...*

(Shown with optional drawer tracking covers)



**PATENT PENDING**

## Application

MPI's new patent pending pneumatic drawer style magnetic separator is ideally suited to capture small contaminants, such as wire, metal shavings and metal wear from dry powder or granular free-flowing product streams in pneumatically conveyed lines up to 15 PSI. Used in primary, secondary or finishing applications, this next generation drawer magnet delivers the highest levels of equipment protection and product purity.

## Operation

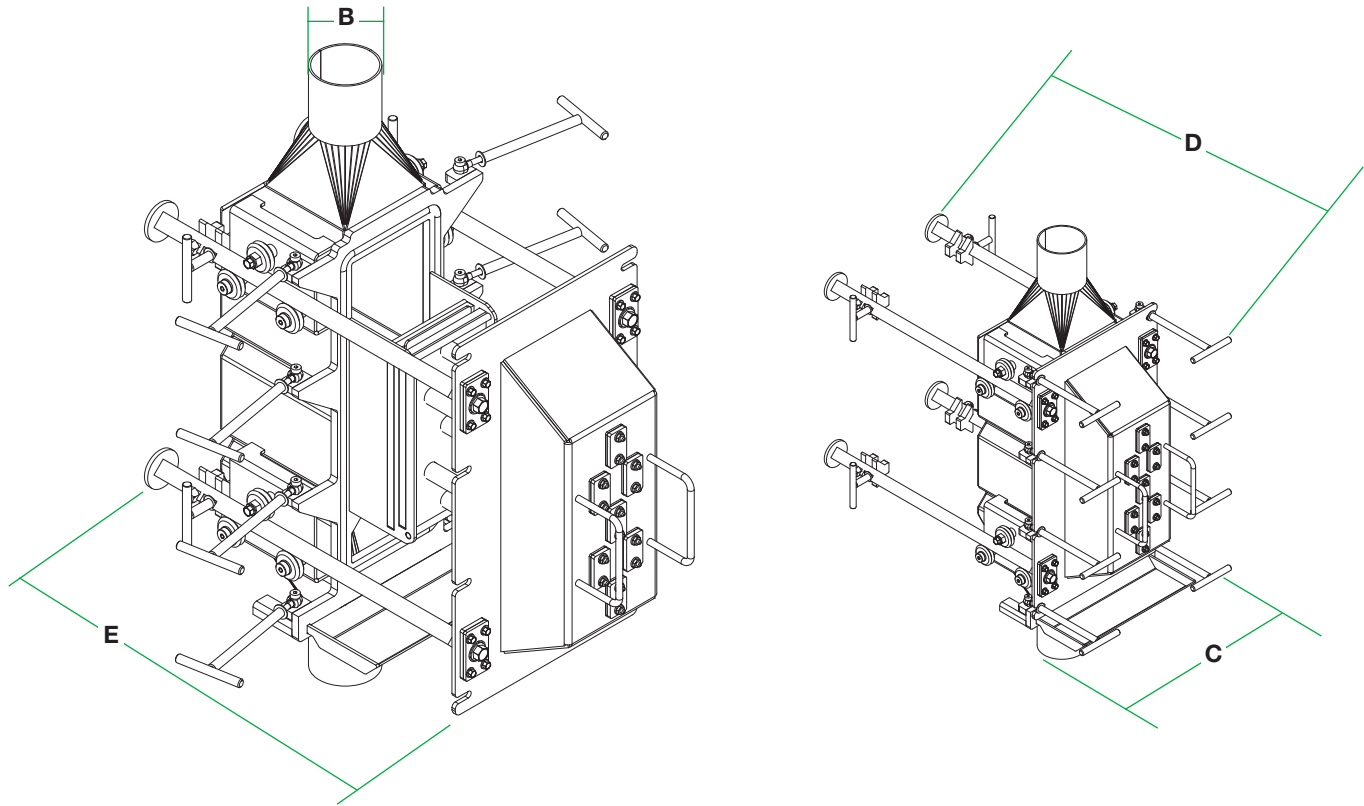
Product flows through five rows of 1" diameter magnetic tubes, designed to create an extremely effective magnetic circuit. The rows of magnetic tubes are staggered to maximize magnetic filtration as product flows through the housing. Tramp metal contaminants move to the underside of the magnetic tubes eliminating tramp metal "wash-off." After terminating the product flow, the magnetic tubes are pulled through a non-metallic Teflon stripper plate that cleans the magnetic tubes and deposits the metal contaminants into a collection tray outside of the product stream.

*\*Specifications subject to change*

Series ILPDM © MPI

**MPI**

683 Town Center Drive, Highland, MI 48356 | p. 800.544.5930 | f. 248.887.6100  
info@mpimagnet.com | www.mpimagnet.com



## ILPDM Selection Guide

ILPDM MODEL NUMBER	ILPDM OPENING "B"		OVERALL WIDTH "C"		OVERALL LENGTH "D" (DRAWER CLOSED)		OVERALL LENGTH "E" (DRAWER OPEN)		HEIGHT		NUMBER OF MAGNETIC TUBES	APPROX. UNIT WEIGHT	
	IN.	CM.	IN.	CM.	IN.	CM.	IN.	CM.	IN.	CM.	5 ROWS	LBS.	KG.
ILPDM 3	3	7.62	17	43.18	33	83.82	34	86.36	20.6	52.324	7	170	77
ILPDM 4	4	10.16	17	43.18	33	83.82	34	86.36	N/A	N/A	7	170	77
ILPDM 5	5	12.7	17	43.18	33	83.82	34	86.36	N/A	N/A	7	170	77

### Standard Features

- Stainless steel construction
- Manual "quick-clean" design
- Stripper plate is easily replaceable and provides complete stripping action of magnetic tubes with sanitary design
- Five rows of 1" dia. magnetic tubes on 2.5" centers for maximum magnetic filtration
- Powerful rare earth magnet material
- Operating temperatures up to 176° F
- Easy maintenance and replacement of both magnetic tubes and stripper plate
- Minimal tools needed for disassembly
- Appropriate for applications up to 15 PSI

### Options

- Custom magnetic tube spacings
- Custom alloy stainless steel construction
- High temperature designs up to 500° F available
- Inlet and outlet transition adapters, custom sized to customer specification
- Synergistic-coated magnetic tubes for use with abrasive product flows
- Custom stripper plate material
- Metal detectable plastic components

\*Specifications subject to change

ILPDM Version 2.0 © 2015 MPI

**MPI**

683 Town Center Drive, Highland, MI 48356 | p. 800.544.5930 | f. 248.887.6100  
 info@mpimagnet.com | www.mpimagnet.com